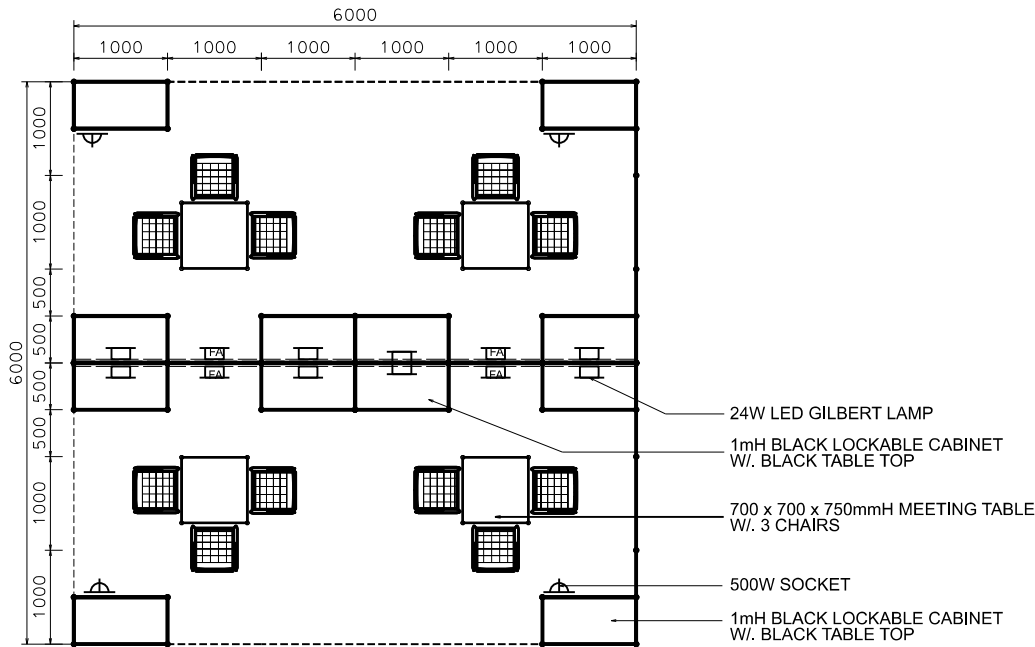


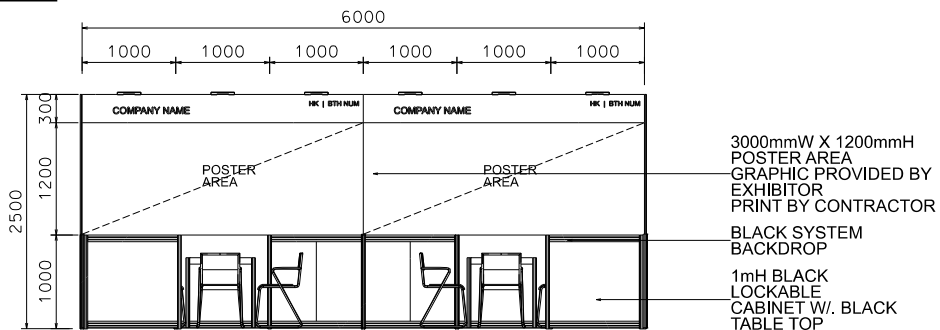
InnoEX

6m X 6m 3sides Open Standard Booth

6米乘6米三面角位攤位



PLAN

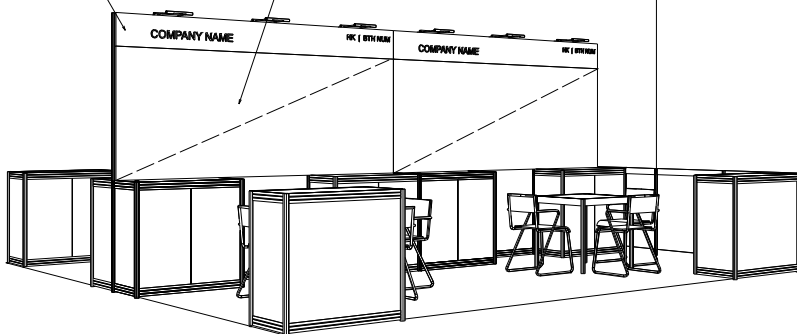


ELEVATION

3000W x 300H STICKER ON FOAMBOARD FASCIA

3000mmW X 1200mmH POSTER AREA GRAPHIC PROVIDED BY EXHIBITOR, PRINT BY CONTRACTOR

BLACK SYSTEM AND SIDE PANEL W/. BLUE STICKER FIN.



BOOTH SPECIFICATIONS		QTY.
	1000W x 500D x 1000H LOCKABLE CABINET	12
	3000W x 300H FOAMBOARD FASCIA	4
	3000mmW X 1200mmH POSTER AREA GRAPHIC PROVIDED BY EXHIBITOR, PRINT BY CONTRACTOR	2
	24W LED GILBERT LAMP	12
	500W SOCKET	4
	700 X 700 X 750mmH MEETING TABLE	4
	CHAIR	12
	RUBBISH BIN & CARPET (36sqm.)	

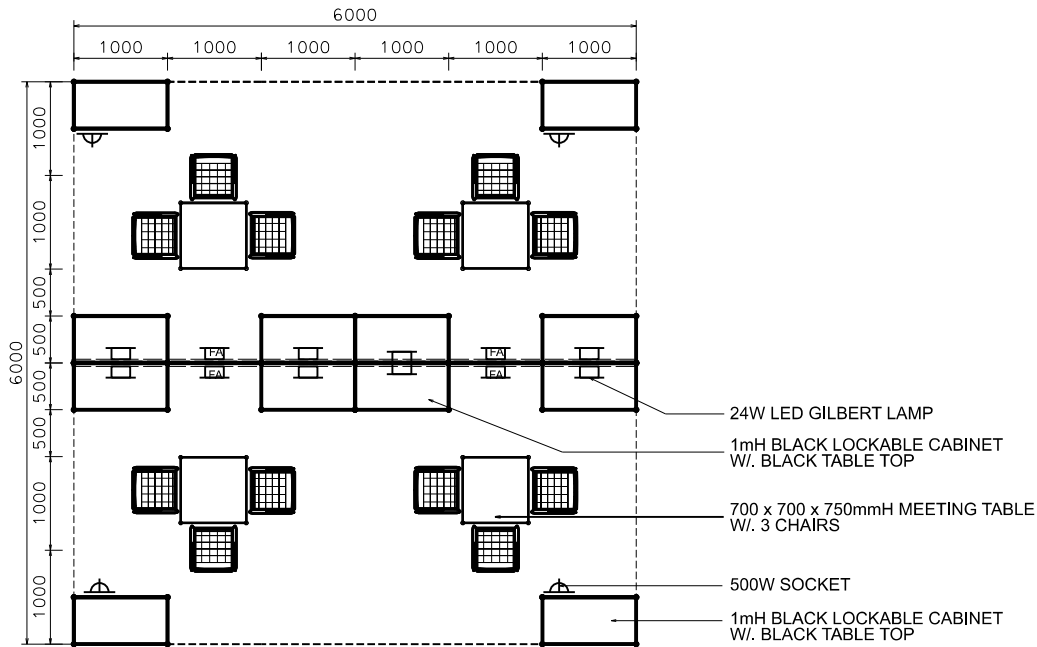
PERSPECTIVE

*The Hong Kong Trade Development Council reserves the right to change the configuration if necessary.
如有需要,主辦單位有權更改攤位結構及設施。

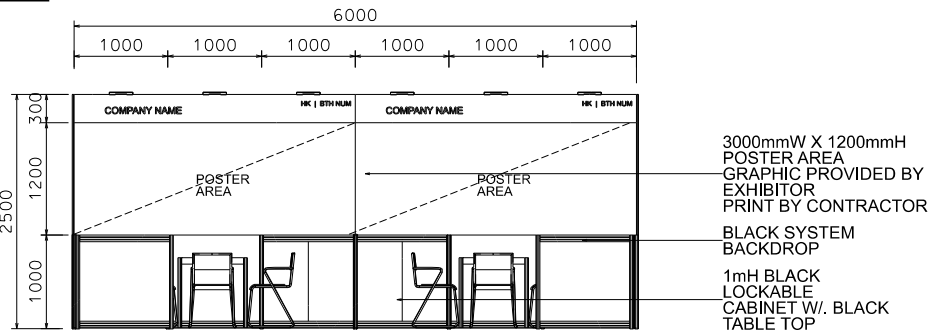
InnoEX

6m X 6m 4sides Open Standard Booth

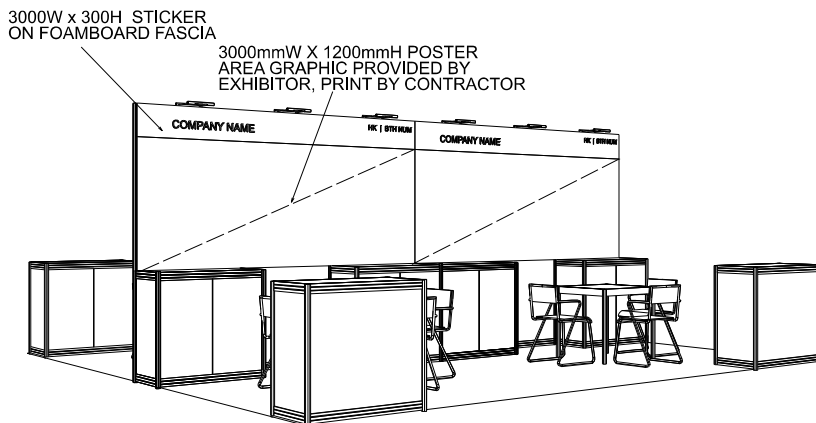
6米乘6米四面通道攤位



PLAN



ELEVATION



PERSPECTIVE

BOOTH SPECIFICATIONS		QTY.
	1000W x 500D x 1000H LOCKABLE CABINET	12
	3000W x 300H FOAMBOARD FASCIA	4
	3000mmW X 1200mmH POSTER AREA GRAPHIC PROVIDED BY EXHIBITOR, PRINT BY CONTRACTOR	2
	24W LED GILBERT LAMP	12
	500W SOCKET	4
	700 X 700 X 750mmH MEETING TABLE	4
	CHAIR	12
	RUBBISH BIN & CARPET (36sqm.)	

*The Hong Kong Trade Development Council reserves the right to change the configuration if necessary.
如有需要,主辦單位有權更改攤位結構及設施。